

20. WIRING DIAGRAM (D-1/2)

A

B

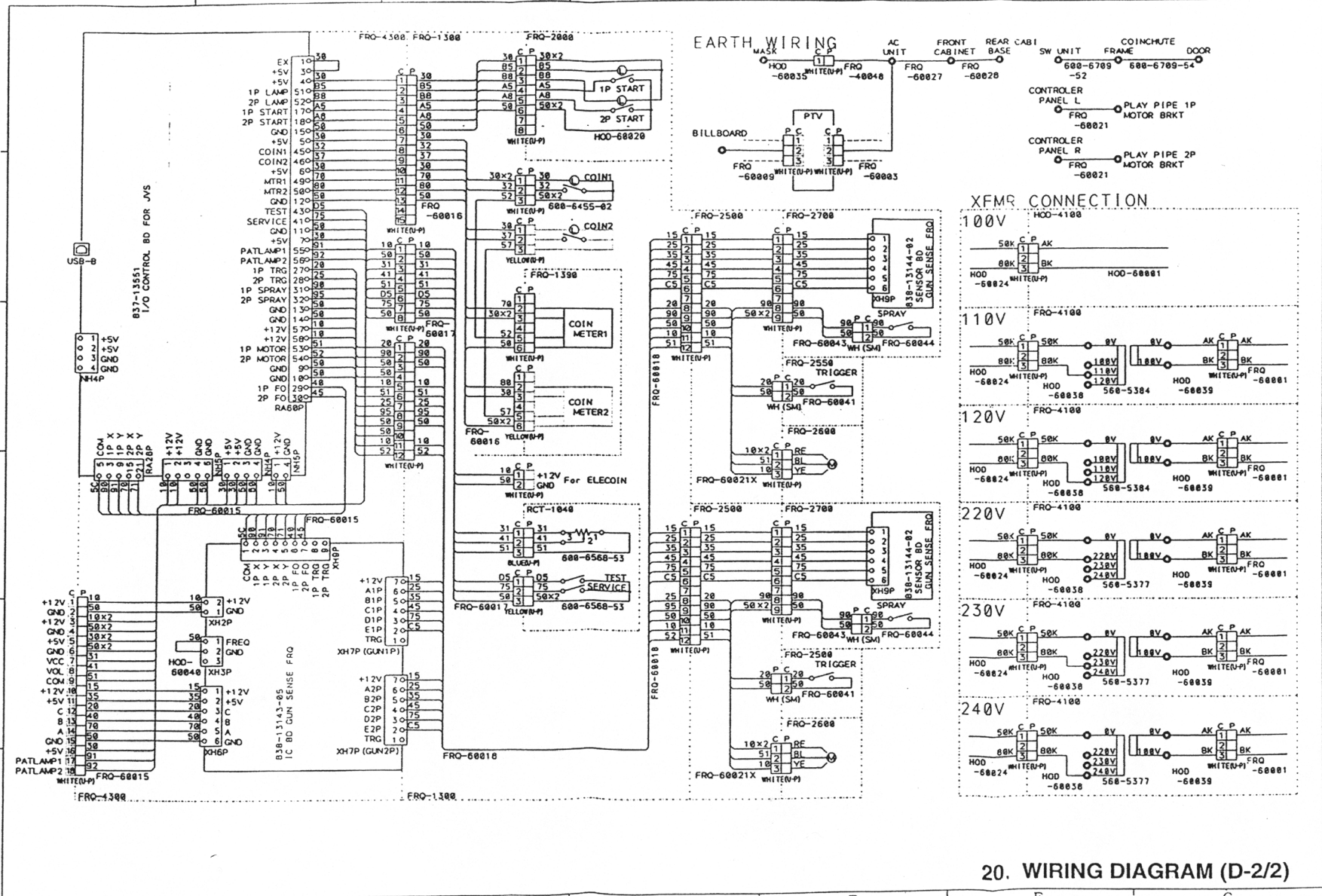
C

D

E

F

G



20. WIRING DIAGRAM (D-2/2)